



GEFORCE[®] GTX 760

INSTALLATION GUIDE



nVIDIA.

NVIDIA GeForce GTX 760

TABLE OF CONTENTS

Introduction	1
About This Guide	1
Minimum System Requirements	2
Unpacking	3
Equipment	3
Hardware Installation	5
Safety Instructions	5
Before You Begin	6
Installing the GeForce Graphics Card	6
Driver Installation	11
Configuring SLI	15
Accessing the NVIDIA Control Panel	15
Enabling/Disabling SLI	16
Configuring HDMI	19
Enabling Audio Over HDMI	19
Features	21
Compliances	25

TABLE OF CONTENTS

01 INTRODUCTION

Thank you for choosing the NVIDIA® GeForce® GTX 760 graphics card.

The GTX 760 is a powerful graphics card that gives you the fast, smooth, quiet gaming you're looking for in all your favorite titles. With features like GPU Boost 2.0, NVIDIA TXAA, and ShadowPlay, this graphics card will give you the best your games have to offer.

Plus, with NVIDIA's GeForce Experience built right into its drivers, you can take advantage of NVIDIA's tens of thousands of hours of testing to optimize your gameplay settings with one click.

About This Guide

This installation guide discusses the installation and operation of the NVIDIA GeForce GTX 760 graphic card.



Note: It is important to register your product in order to receive online and phone support. Consult the registration card included in the retail packaging for more information on registering your product.

Minimum System Requirements

> **Motherboard**

PCI Express® or PCI Express 3.0-compliant motherboard with one dual-width x16 graphics slot.

> **System Power Supply**

Minimum 500 W or greater system power supply (with a minimum 12 V current rating of 20 A) with two 6-pin PCI Express supplementary power connector.

> **Operating System**

- Microsoft Windows 8, 32-bit or 64-bit
- Microsoft Windows 7, 32-bit or 64-bit
- Microsoft Windows Vista, 32-bit or 64-bit
- Microsoft Windows XP, 32-bit or 64-bit
- Linux, 32-bit or 64-bit
- FreeBSD x86

> **System Memory**

2 GB system memory (4 GB recommended)

> **DVD-ROM drive or internet connection for driver installation**

> **300 MB of available hard disk space**

02 UNPACKING

Prior to unpacking your new NVIDIA GeForce GTX 760 graphics card, it is important to make sure you meet all the system requirements listed on page 2 for a smooth installation.

Be sure to inspect each piece of equipment shipped in the packing box. If anything is missing or damaged, contact your reseller.

Equipment

The following equipment and documentation are included in the GeForce GTX 760 graphics card box.



NVIDIA Driver Installation Disc

Contains:

- Windows 8, Windows 7, XP, and Vista (32/64-bit) drivers for the GeForce graphics card. For other operating systems and to keep your drivers current, visit www.nvidia.com/drivers and download the latest drivers
- Digital version of this Manual and Driver



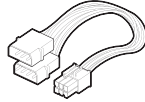
Quick Start Guide

Fast and easy steps to install the GeForce graphics card.



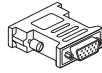
Registration Card

Register to gain priority access to online and phone support.



4-to-6 Pin Adapter (Optional)

Use the 4-to-6 pin adapter to convert two 4-pin power supply connectors to one 6-pin connector.



DVI-to-VGA Adapter (Optional)

Use to connect a VGA monitor to the DVI connector or a DVI monitor to the VGA connector.

GeForce GTX 760 Graphics Card

Two power connectors

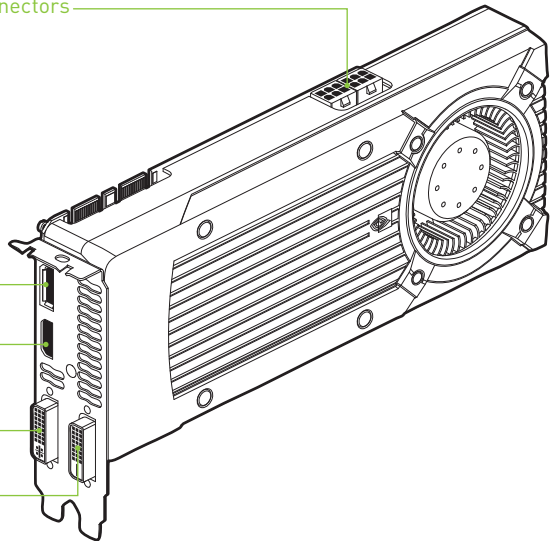


DisplayPort
connector

HDMI
connector

DVI-I
Connector

DVI-D
Connector



03

HARDWARE INSTALLATION

Installing the NVIDIA GeForce GTX 760 graphics card hardware involves opening up your computer. Follow all of the safety instructions provided here to ensure that there is no damage to you, your computer, or the graphics board.

Safety Instructions

To reduce the risk of fire, electric shock, or injury, always follow basic safety precautions.



Note: All hardware must be installed prior to installation of the drivers.

- > Remove power from your computer by disconnecting the AC main source before installation.
- > Do not operate this product near water or when your hands or body are wet.
- > Do not place this product on soft surfaces that could block the ventilation slots and cause overheating.
- > Do not place this product near a heating register or radiator.
- > Place this product securely on a stable surface. Serious damage to this product may result if it falls.
- > Do not allow anything to rest on the power cord. Do not place this product where a person can step or trip on the power cord.

03

Before You Begin

The GeForce GTX 760 graphics card is a PCI Express 3.0 ×16 graphics card. Your computer may already have a graphics card installed in the PCI Express slot. If so, you will need to remove that graphics card and replace it with the GeForce GTX 760 graphics card.

If you do not have a graphics card, this means that your motherboard has on-board graphics (there is a graphics chip installed on your motherboard or integrated in the motherboard chipset). If this is the case, there is no action that needs to be taken before installing your new graphics card.

Installing the GeForce Graphics Card

Because there are so many different computer systems on the market, the procedure to install the GeForce GTX 760 graphics card can vary from system to system. Use the following instructions as a guideline and consult the documentation for your computer system for any further information on your individual system.



Note: It is important that all power to the computer be disconnected before you install the graphics card.

Discharge your body's static electricity by touching a grounded surface before touching the graphics card. A grounded surface is the computer chassis, or some other surface you know to be grounded.

Use the following procedure to install the GeForce GTX 760 graphics card into your computer system.

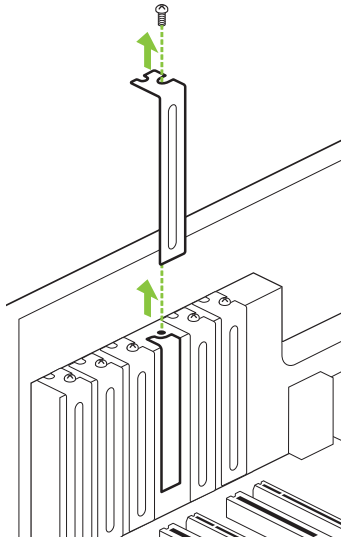
- 1 Turn off your computer and monitor and disconnect the power cord. Depending on your computer system, you may need to disconnect the cable going to the back of your system. Mark the cables so you can make sure you reconnect them properly.
- 2 Open your computer by removing the cover/side panel. Refer to your computer documentation from the original manufacturer for assistance.

- 3 Remove any existing graphics card (if there is one). Save hardware (such as screws and brackets) to use when installing the NVIDIA graphics card.

! **Attention:** If your system has been running for a period of time prior to opening the panels, it is very important that you wait until the graphics card in your system has cooled before taking the card out of the system. Graphics cards get very hot when they have been operating for any length of time.

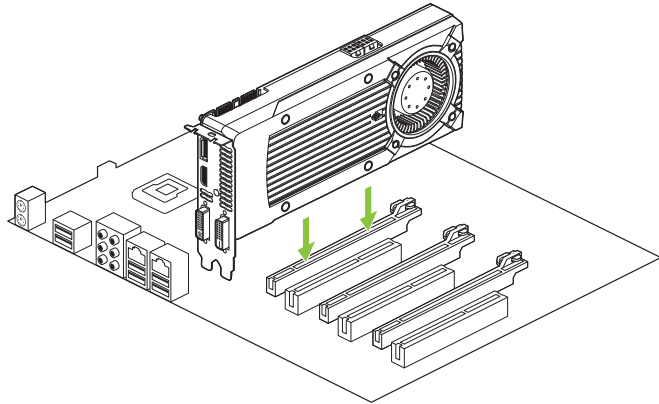
- 4 Remove the slot cover if you do not have a graphics card installed.

🗨 **Note:** The GeForce GTX 760 card is double-wide so it will require removing **two** slot covers.



03

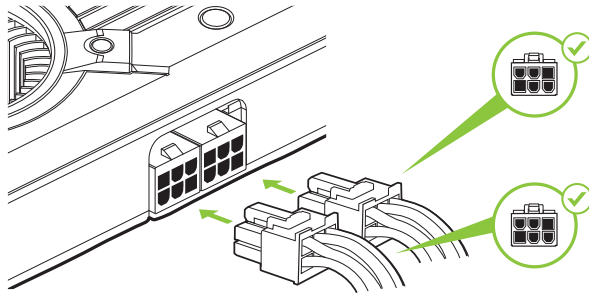
- 5 Plug the graphics card into the Primary PCI Express x16 slot on your motherboard. This is often the slot closest to the CPU but may be the second or third slot. Look for the slot labeled **x16**. It will likely be the only PCI Express slot with a retention lever on the end of the slot or the one closest to the CPU.



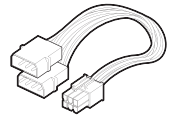
Note: It is recommended that you install the graphics card into the primary PCI Express x16 slot. If you install the graphics card into the secondary slot, your system may not recognize the graphics card and there will be nothing displayed on the monitor.

Also note that on some motherboard SBIOS, the physical location of the primary slot can be configured when there are more than one PCI Express x16 slots.

- 6 Connect a pair of PCI Express 6-pin auxiliary power connectors to the top edge of the GeForce GTX 760 graphics card. Note that the connectors and sockets on the graphics card have a unique shape and connect one way only.

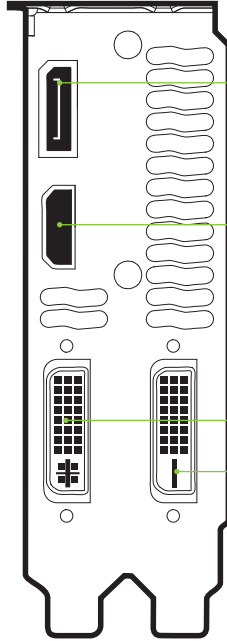


If your power supply needs an additional power connector, you can use the included 4-to-6 pin adapter.



- 7 Reinstall the cover on your computer and reconnect any cables that you removed earlier in the installation.

- 8** Connect your computer monitor(s) to the GeForce graphics card using the connectors shown. A single GeForce GTX 760 graphics card can support up to four displays in a multi-monitor configuration.
- 9** Reconnect your power cord to the PC.



DisplayPort Connector

Supports single-lane transfer rates over a single cable. The interface is primarily used to connect a video source to a display device such as a computer monitor.

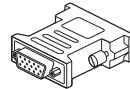
HDMI (High-Definition Multimedia Interface) Connector

Supports output of both video and audio from the PC to a high-definition television.

DVI Connectors (DVI-I and DVI-D)

Use this to connect a digital display or, with an adapter, the following:
 > VGA display using DVI-to-VGA adapter

DVI-to-VGA Adapter (Optional)



04 DRIVER INSTALLATION

With the hardware installed, it is now time to install the graphics driver. NVIDIA recommends downloading and installing the most recent drivers available at:

<http://www.nvidia.com/drivers>.

Use the following procedure to load the graphics drivers.

- 1 Power up your system.
- 2 Insert the driver installation disc or double click on the GeForce driver executable file you downloaded from www.nvidia.com/drivers. The **NVIDIA Setup** program takes over and installs the drivers.

- 3 Select **AGREE AND CONTINUE** to continue the installation.

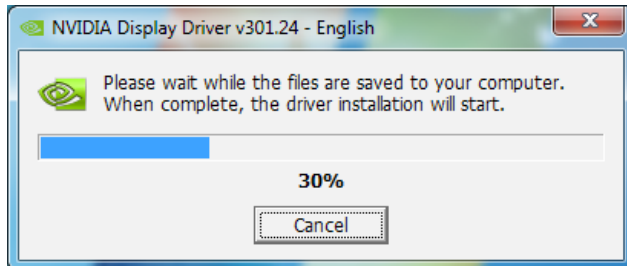


- 4 Select the **Express** option and then click **NEXT** when the *Installation Options* window displays.

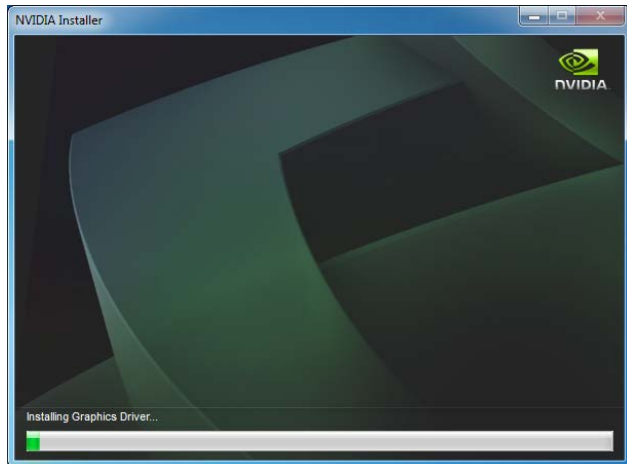




Note: It may take several minutes for the installation to take place. Your screen may go blank for a few seconds one or more times during installation. This is normal. The *Install in progress...* screen will let you know when the installation is complete.



- 6 Once all the files are copied to your computer, the installation begins.



- 7 Click **CLOSE** when the install has finished.



Note: Please visit www.nvidia.com/support to access our 24x7x365 online support system, where you can submit questions directly to our tech support staff. Questions may only be submitted in English. GeForce customers purchasing NVIDIA-branded products also have access to toll free technical support at 1-800-797-6530 from 8:00AM-5:00PM Pacific Time, M-F. The technical support line is accessible from the U.S. and Canada only.

05

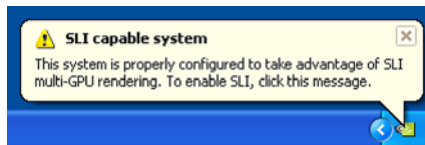
CONFIGURING SLI

SLI is a revolutionary technology developed by NVIDIA that allows you to connect identical GeForce graphics cards together to deliver increased performance.

You can enable SLI by either clicking on the SLI capable system balloon in the system tray or by going to the NVIDIA Control Panel.



Note: You must have an SLI-ready motherboard and 2 or 3 identical SLI-ready GeForce graphics cards installed in your PC in order to enable SLI.



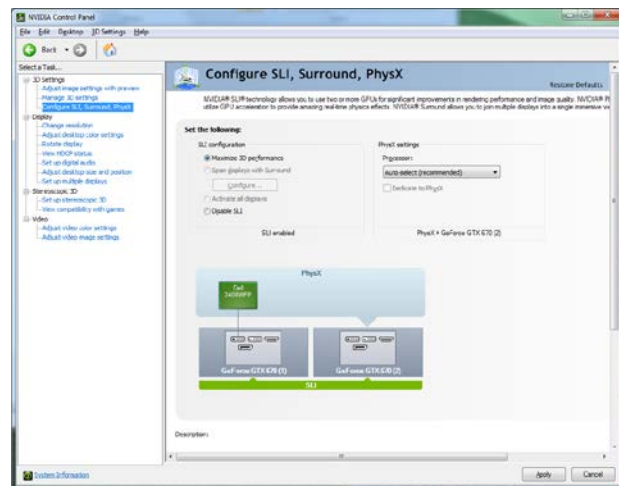
Accessing the NVIDIA Control Panel

- 1 To access the NVIDIA Control Panel, you can right-click the Windows desktop and select NVIDIA Control Panel from the menu. Other ways to access the NVIDIA Control Panel depends on the operating system.
 - > **Windows 8**
Using a mouse, point to the upper-right corner of the screen, click **Settings** → **Control Panel** → **Hardware and Sound** → and select the **NVIDIA Control Panel** icon.
 - > **Windows 7**
Go to **Start** → **Control Panel** → **Hardware and Sound** and select the **NVIDIA Control Panel** icon.

- **Windows XP**
Go to **Start** → **Control Panel** and select the **NVIDIA Control Panel** icon.
- **Windows Vista**
 - Classic view
Go to **Start** → **Control Panel** and select the **NVIDIA Control Panel** icon.
 - Control Panel Home view
Go to **Start** → **Control Panel** → **Additional Options** and select the **NVIDIA Control Panel** icon.

Enabling / Disabling SLI

- 2 Once you have the NVIDIA Control Panel open, click on **Configure SLI, Surround, PhysX** in the left task pane.



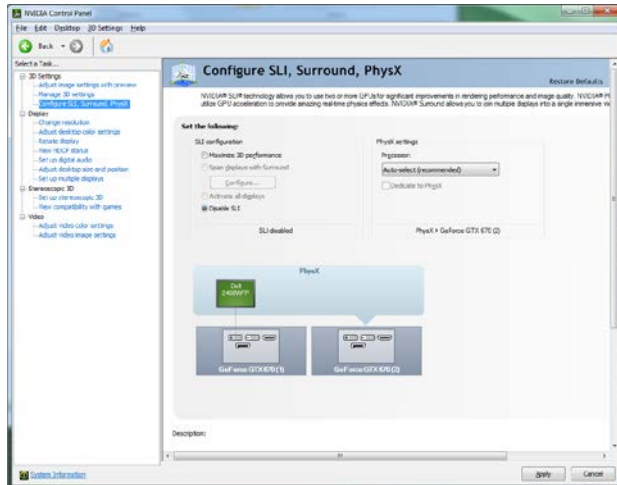
- 3 Select from the following multi-GPU configurations:
 - **Maximize 3D performance**
Select this mode when you want your graphics cards to work together to increase your rendering performance and image quality.
 - **Activate all displays**
Activate all displays disables SLI and activates all connected displays (heads).

➤ **PhysX settings**

PhysX settings switches which GPU runs PhysX and can also dedicate a GPU to PhysX only.

➤ **Disable SLI**

Default Selection.



4 Click **Apply**.

05

06 CONFIGURING HDMI

Connecting your HDTV via HDMI allows you to output both digital audio and video from your graphics card to an HDTV.

Enabling Audio Over HDMI

If you are connecting to your display over HDMI, you may need to set the HDMI output to be your default audio device.

In Windows 8, select **Start → Control Panel → Sound**.

On the *Playback* tab, select your HDMI display and select **Set Default**.

In Windows 7, select **Start → Control Panel → Sound**.

On the *Playback* tab, select your HDMI display and select **Set Default**.

Congratulations! Your GeForce graphics card(s) is now ready to use!

For detailed instructions on using the NVIDIA Control Panel, consult the *Control Panel User's Guide* found at www.nvidia.com/drivers (select your driver, then click on **Documentation** to download the User's Guide).

07 FEATURES

- > **NVIDIA® ShadowPlay™:** Auto-record your greatest gaming moments. NVIDIA ShadowPlay automatically records up to your last 20 minutes of gameplay, capturing and encoding to high-quality H.264 (.mp4) video. Tweak your recording settings to 30 FPS, 1080p. ShadowPlay inflicts a minimal performance hit when in use (less than 10%).
- > **GeForce® Experience™:** Revolutionary GeForce Experience software ensures the best gaming, right out of the box. Instead of spending hours guessing and tweaking your PC's settings, get optimized game settings based on your individual PC with a single click.
- > **NVIDIA GPU Boost 2.0:** NVIDIA GPU Boost 2.0: Advanced controls that let you push your PC's performance to the max; intelligently adjust settings like temp target, overvoltage, display OC, and FPS target.
- > **Microsoft® DirectX® Support:** DirectX GPU with Shader Model support designed for ultra high performance in the new API's key graphics feature, GPU-accelerated tessellation.
- > **NVIDIA CUDA™ Technology¹:** CUDA technology unlocks the power of the GPU's processor cores to accelerate the most demanding tasks such as video transcoding, physics simulation, ray tracing, and more, delivering incredible performance improvements over traditional CPUs.
- > **NVIDIA PhysX® Technology²:** GeForce GPU support for NVIDIA PhysX technology, enabling a totally new class of physical gaming interaction for a more dynamic and realistic experience with GeForce.
- > **NVIDIA® Surround Ready:** Expand your games across three displays.

- > **NVIDIA GigaThread™ Technology:** Massively multi-threaded architecture supports thousands of independent, simultaneous threads.
- > **Kepler GPU Architecture:** NVIDIA's Kepler GPU architecture has been designed from the ground up not just for maximum performance in the latest DirectX 11 games, but optimal performance per watt. The new SMX streaming multiprocessor is twice as efficient as the prior generation and the new geometry engine draws triangles twice as fast. The result is world class performance and the highest image quality in an elegant and power efficient graphics card.
- > **NVIDIA® 3D Vision™ Ready:** GeForce GPU support for NVIDIA 3D Vision technology, bringing a fully immersive stereoscopic 3D experience to the PC. A combination of high-tech wireless glasses and advanced software, 3D Vision transforms hundreds of PC games into full stereoscopic 3D. In addition, you can watch 3D movies and 3D digital photographs in eye popping, in crystal-clear quality.
- > **DirectCompute Support:** Full support for DirectCompute, Microsoft's GPU computing API.
- > **OpenCL Support:** Full support for OpenCL GPU computing API.
- > **32x Anti-aliasing Technology:** Lightning fast, high-quality anti-aliasing at up to 32x sample rates obliterates jagged edges.
- > **Two New Anti-aliasing Modes - FXAA and TXAA:** Anti-aliasing smoothes out jagged edges but can be demanding on framerates. FXAA is a new antialiasing technology that produces beautiful smooth lines with minimal performance impact. And with Kepler based GPUs, you'll be able to enable FXAA in hundreds of game titles through the NVIDIA Control Panel. The second mode, TXAA, is an in-game option that combines MSAA, temporal filtering, and post processing for even higher visual fidelity.
- > **NVIDIA Adaptive Vertical Sync:** Nothing is more distracting than framerate stuttering and screen tearing. The first tends to occur when framerates are low, the second when framerates are high. Adaptive V-Sync is a smarter way to render frames. At high framerates, V-sync is enabled to eliminate tearing, at low frame rates, it's disabled to minimize stuttering. It gets rid of distractions so you can get on with gaming.

- > **NVIDIA® GeForce® Unified Driver Architecture (UDA):** Delivers a proven record of compatibility, reliability, and stability with the widest range of games and applications. NVIDIA® GeForce® drivers provide the best out-of-box experience for every user and deliver continuous performance and feature updates over the life of NVIDIA GeForce® GPUs.
- > **PCI Express 3.0 Support :** Designed for the new PCI Express 3.0 bus architecture offering the highest data transfer speeds for the most bandwidth-hungry games and 3D applications, while maintaining backwards compatibility with existing PCI Express motherboards for the broadest support.
- > **Dual-link DVI Support:** Able to drive industry's largest and highest resolution flat-panel displays up to 2560x1600 and with support for High-bandwidth Digital Content Protection (HDCP).
- > **HDMI:** Fully integrated support for HDMI 1.4a including GPU accelerated Blu-ray 3D³ support, xvYCC, deep color, and 7.1 digital surround sound, Dolby TrueHD and DTS-HD. Upgrade your GPU to full 3D capability with NVIDIA 3DTV Play software, enabling 3D gaming, picture viewing and 3D web video streaming. See www.nvidia.com/3dtv for more details.
- > **NVIDIA PureVideo® HD Technology⁴:** The combination of high-definition video decode acceleration and post-processing that delivers unprecedented picture clarity, smooth video, accurate color, and precise image scaling for movies and video.
 - **Hardware Decode Acceleration:** Provides ultra-smooth playback of H.264, VC-1, WMV, DivX, MPEG-2 and MPEG-4 HD and SD movies without the need for a dual or quad-core CPU.
 - **Dual-stream Hardware Acceleration:** Supports picture-in-picture content for the ultimate interactive Blu-ray and HD DVD movie experience.
 - **Dynamic Contrast Enhancement & Color Stretch:** Dynamically provides post-processing and optimization of High Definition movies for spectacular picture clarity.
 - **Dual-link HDCP Capable⁵:** Designed to meet the output protection management (HDCP) and security specifications of the Blu-ray Disc format, allowing the playback of encrypted movie content on PCs when connected to HDCP-compliant displays.

- **Enhanced Error Resilience:** Correct errors or losses in broadcast content to ensure crisp, high quality playback.
- **Advanced Spatial-Temporal De-Interlacing:** Sharpens HD and standard definition interlaced content on progressive displays, delivering a crisp, clear picture that rivals high-end home-theater systems.
- **High-Quality Scaling:** Enlarges lower resolution movies and videos to HDTV resolutions, while maintaining a clear, clean image. Also provides downscaling of videos, including high-definition, while preserving image detail.
- **Inverse Telecine (3:2 & 2:2 Pulldown Correction):** Recovers original film images from films-converted-to-video (DVDs, 1080i HD content), providing more accurate movie playback and superior picture quality.
- **Bad Edit Correction:** When videos are edited, the edits can disrupt the normal 3:2 or 2:2 pulldown cadence. PureVideo uses advanced processing techniques to detect poor edits, recover the original content, and display perfect picture detail frame after frame for smooth, natural looking video.
- **Noise Reduction:** Improves movie image quality by removing unwanted artifacts.
- **Edge Enhancement:** Sharpens movie images by providing higher contrast around lines and objects.

-
1. Requires application support for NVIDIA CUDA technology.
 2. NVIDIA PhysX drivers are required to experience in-game GPU PhysX acceleration. Refer to www.nvidia.com/PhysX for more information.
 3. Blu-ray 3D playback requires the purchase of a compatible software player from CyberLink, ArcSoft, Corel, or Sonic.
 4. Feature requires supported video software. Features may vary by product.
 5. Requires other HDCP-compatible componen

08 COMPLIANCES

The NVIDIA GeForce GTX 760 graphics card is compliant with the following regulations:

- > Federal Communications Commission (FCC)
- > Industry Canada (IC)
- > Conformité Européenne (CE)
- > Australian Communications and Media Authority (C-tick)
- > Voluntary Control Council for Interference (VCCI)
- > Bureau of Standards Metrology and Inspection (BSMI)
- > Korean Certification (KC)
- > Underwriters Laboratories (UL, cUL)
- > ISO 9241-307 Visual Display Ergonomics

UNITED STATES

Federal Communications Commission (FCC)



This equipment has been tested and found to comply with the limits for a Class B digital device, pursuant to Part 15 of the FCC Rules. These limits are designed to provide reasonable protection against harmful interference in a residential installation. This equipment generates, uses and can radiate radio frequency energy and, if not installed and used in accordance with the instructions, may cause

harmful interference to radio communications. However, there is no guarantee that interference will not occur in a particular installation.

If this equipment does cause harmful interference to radio or television reception, which can be determined by turning the equipment off and on, the user is encouraged to try to correct the interference by one or more of the following measures:

- > Reorient or relocate the receiving antenna.
- > Increase the separation between the equipment and receiver.
- > Connect the equipment into an outlet on a circuit different from that to which the receiver is connected.
- > Consult the dealer or an experienced radio/TV technician for help.

CANADA

Industry Canada (IC)

This Class B digital apparatus complies with ICES-003

Cet appareil numérique de la classe B est conforme à la norme NMB-003 du Canada.

Operation is subject to the following two conditions: (1) this device may not cause interference, and (2) this device must accept any interference, including interference that may cause undesired operation of the device.

EUROPEAN UNION

European Conformity; Conformité Européenne (CE)



This device complies with the EMC Directive for Class B, I.T.E equipment.

AUSTRALIA & NEW ZEALAND

Australian Communications and Media Authority (C-tick)



This product meets the applicable EMC requirements for Class B, I.T.E equipment

JAPAN

Voluntary Control Council for Interference (VCCI)



この装置は、クラスB情報技術装置です。この装置は、家庭環境で使用することを目的としています。この装置がラジオやテレビジョン受信機に近接して使用されると、受信障害を引き起こすことがあります。

取扱説明書に従って正しい取り扱いをして下さい。

VCCI-B

This is a Class B product based on the standard of the VCCI Council. If this is used near a radio or television receiver in a domestic environment, it may cause radio interference. Install and use the equipment according to the instruction manual.

KOREA

Radio Research Agency (RRA)



KCC-REM-NVA-P2004

B급 기기(가정용 방송통신기기)

이 기기는 가정용(B급)으로 전자파적합등록을 한 기기로서 주로 가정에서 사용하는 것을 목적으로 하며, 모든 지역에서 사용할 수 있습니다.

Class B Equipment (For Home Use Broadcasting & Communication Equipment)

This equipment is home use (Class B) electromagnetic wave suitability equipment and to be used mainly at home and it can be used in all areas.

TAIWAN COMPLIANCE**Bureau of Standards, Metrology and Inspection (BSMI)****D33088**

This device complies with CNS 13438 (2006) Class B

SAFETY**Underwriters Laboratories (UL)**

Notice

ALL NVIDIA DESIGN SPECIFICATIONS, REFERENCE BOARDS, FILES, DRAWINGS, DIAGNOSTICS, LISTS, AND OTHER DOCUMENTS (TOGETHER AND SEPARATELY, "MATERIALS") ARE BEING PROVIDED "AS IS." NVIDIA MAKES NO WARRANTIES, EXPRESSED, IMPLIED, STATUTORY, OR OTHERWISE WITH RESPECT TO THE MATERIALS, AND EXPRESSLY DISCLAIMS ALL IMPLIED WARRANTIES OF NON-INFRINGEMENT, MERCHANTABILITY, AND FITNESS FOR A PARTICULAR PURPOSE.

Information furnished is believed to be accurate and reliable. However, NVIDIA Corporation assumes no responsibility for the consequences of use of such information or for any infringement of patents or other rights of third parties that may result from its use. No license is granted by implication or otherwise under any patent or patent rights of NVIDIA Corporation. Specifications mentioned in this publication are subject to change without notice. This publication supersedes and replaces all information previously supplied. NVIDIA Corporation products are not authorized for use as critical components in life support devices or systems without express written approval of NVIDIA Corporation.

Trademarks

NVIDIA, the NVIDIA logo, CUDA, GeForce, GeForce GTX, GeForce Experience, NVIDIA ShadowPlay, GigaThread, Lumenex, PureVideo, and PhysX Technology are trademarks or registered trademarks of NVIDIA Corporation. Other company product names may be trademarks of the respective companies with which they are associated.

Copyright

© 2013 NVIDIA Corporation. All rights reserved.

