

Connector Recommendations

The following table illustrates a recommended connector diagram. Your individual system configuration may vary depending upon your PC, GPU, and Surround mode.

Note: the pictures below are based upon NVIDIA reference designs. Partner boards may vary slightly.



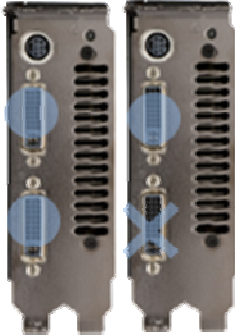

Surround Display



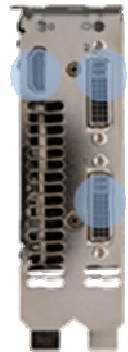



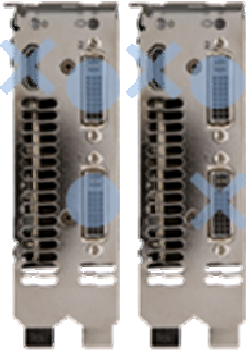
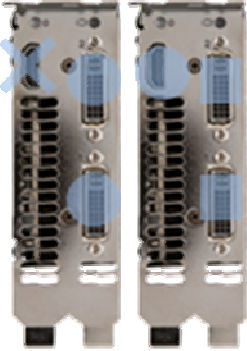
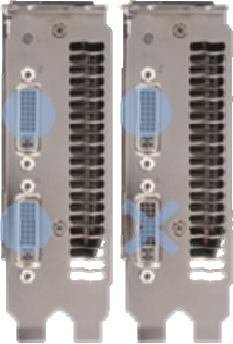

Unused



Accessory Displays

GPUs	SLI Mode	Connector Diagram	Accessory Display* Using Additional GPU
GeForce GTX 480 / 470 / 465 GeForce GTX 285 / 280 / 275 / 260	2-way SLI		

	3-way SLI		
GeForce GTX 295 <i>(boards with 2 DVI and 1 HDMI connectors)</i>	Multi-GPU	<p>Note: This is only supported in Surround (2D) or using 3D Vision Surround with projectors only, it is not supported with 3D Vision Surround with 3D LCDs.</p> 	

	Quad SLI*		<p>You can reconfigure the display connections to get an Accessory Display on this Quad SLI group, but it will result in lower 3D performance than adding an additional GPU. A connector diagram below</p> 
GeForce GTX 295 <i>(boards with 2 DVI connectors)</i>	Multi-GPU	Not possible	Not possible
	Quad SLI*		

Currently Accessory Displays are limited to NVIDIA Surround only and do not work in NVIDIA 3D Vision Surround mode.

** Please note that in the first Beta driver for 3D Vision Surround, we do not recommend running GeForce GTX 295 Quad SLI because there are bugs in the driver which may result in system instability. We will be providing a future driver update to support this configuration.*